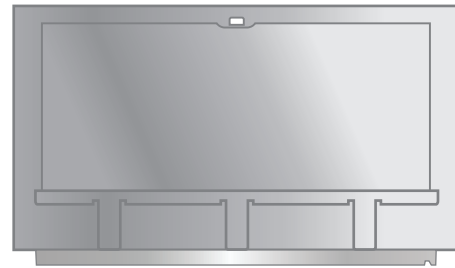


Reflections Housing with EldoLED and Lutron Hi-lume Drivers

EDIHE_ 1.5



GENERAL PRODUCT INFORMATION:

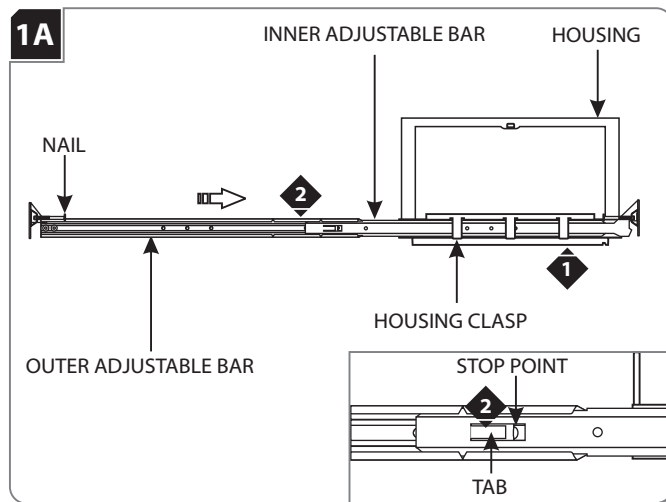
This product is suitable for indoor locations.

This product can be dimmed with a standard electronic dimmer.

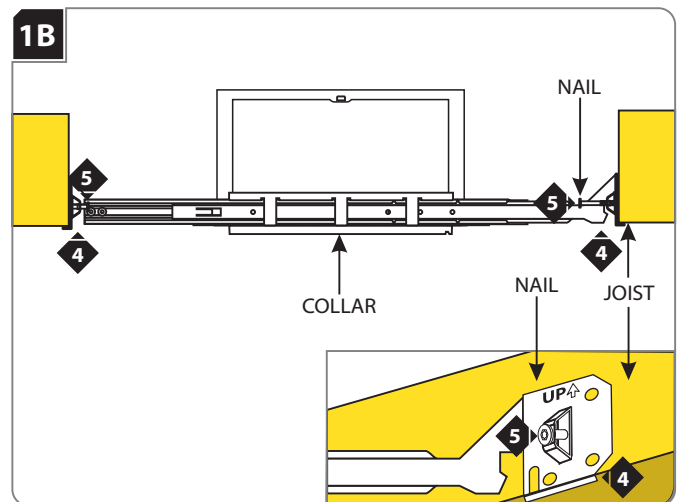
This instruction shows a typical installation.

CAUTION - RISK OF FIRE
 This product must be installed in accordance with the applicable installation code by a person familiar with the construction and operation of the product and the hazards involved.
Use minimum 90°C supply conductors.
SAVE THESE INSTRUCTIONS!

Install the Housing with Adjustable Bars



- 1 Slide the inner adjustable bar completely through the three housing clasps. **Make sure the "UP" marking is pointing upward.**
- 2 Slide and push the outer adjustable bar completely onto the inner adjustable bar so that the tab clicks into place behind the stop point. This will prevent the adjustable bars from coming apart.
- 3 Repeat steps 2 & 3 for the other side of the housing.

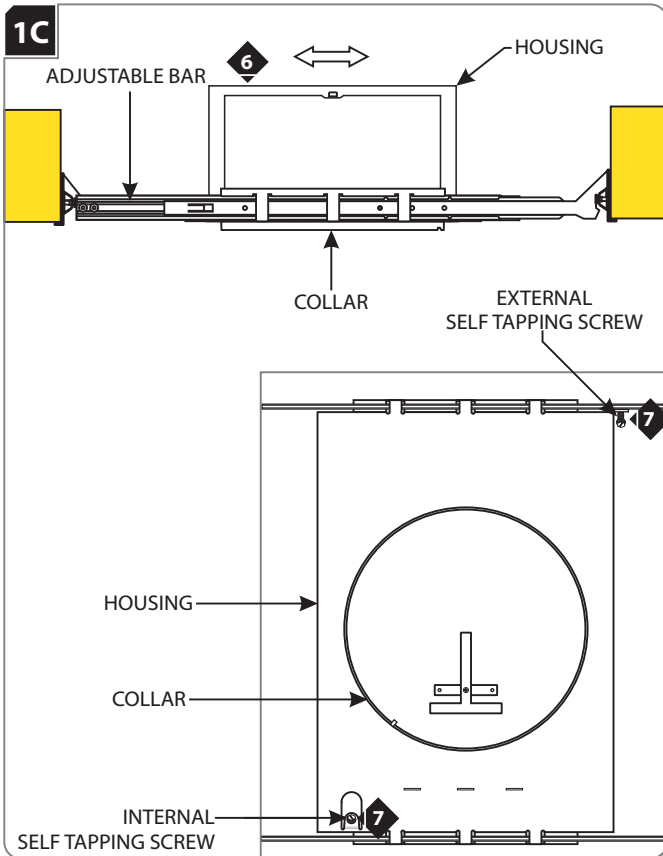


NOTE: This product can be ceiling or wall mounted using a minimum of 2x6 joists/studs. For wall mounting, ensure that the housing is installed with the electrical box facing upward.

NOTE: The adjustable bars can be mounted to joists that are spaced 16" - 24" apart.

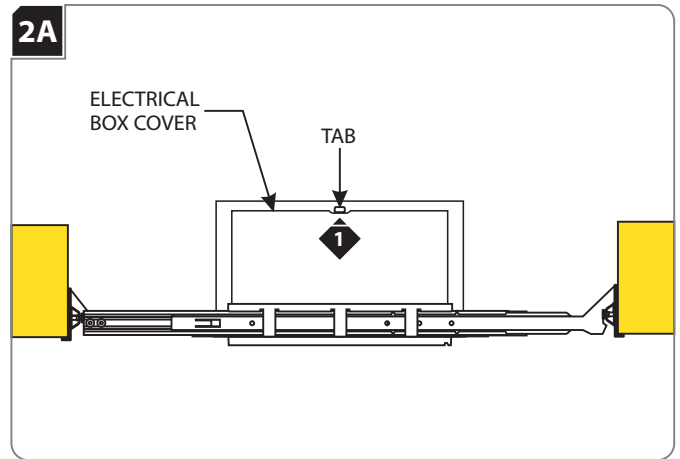
- 4 Align the bottom of the end plates with the bottom of the ceiling joists.
- 5 Level the adjustable bars and, with a hammer, tap the nails completely into the joists to secure the adjustable bars.

Connect Power to the Housing

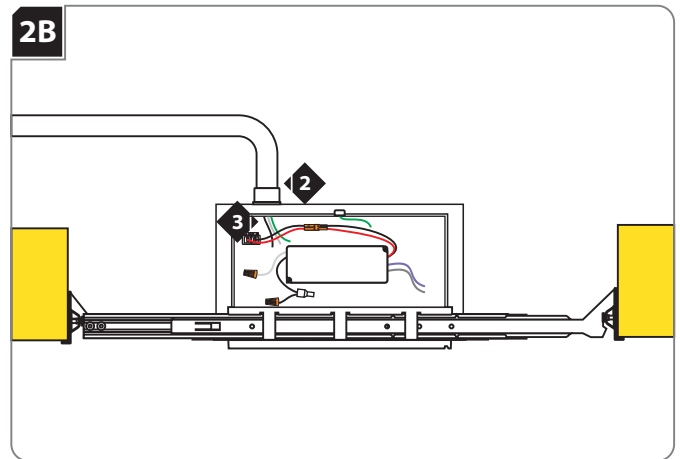


- 6 Adjust the collar's position (horizontal position) by sliding the housing on adjustable bars.
- 7 When the desired location is achieved, tighten the two self tapping screws to lock the housing onto the adjustable bars. **Note:** 8" and 12" housings have one internal and one external self tapping screw. 5" housings have two external self tapping screws.

NOTE: Notches in collar can be used to align multiple housings using a laser or string.



- 1 Push the tab on the housing electrical box up and remove the electrical box cover.



- 2 Install the conduit to the housing electrical box.
- 3 Run the power line wires into the housing electrical box.
- 4 Power the fixture using the wiring diagrams on the following page according to the driver included with the fixture.

NOTE: When a fixture is installed in a location that requires servicing from below the ceiling through the fixture aperture, the branch circuit connections need to be able to be brought out through the aperture. To accomplish this, an NM type cable in conjunction with snap-in/push-in connectors must be used and a 12" service loop must be left available outside of the fixture housing wiring compartment to allow additional branch circuit wiring to be pulled through the snap-in/push-in connector and extended out through the aperture below ceiling level.

WARNING: RISK OF FIRE: When using the housing electrical box for power feed through, use **MAX** 2 - #12 AWG, or 2 - #14 AWG branch circuit wires. **NOTE:** Branch circuiting does not apply to Lutron models.

For EldoLED SOLO or ECO Drive see section 2C

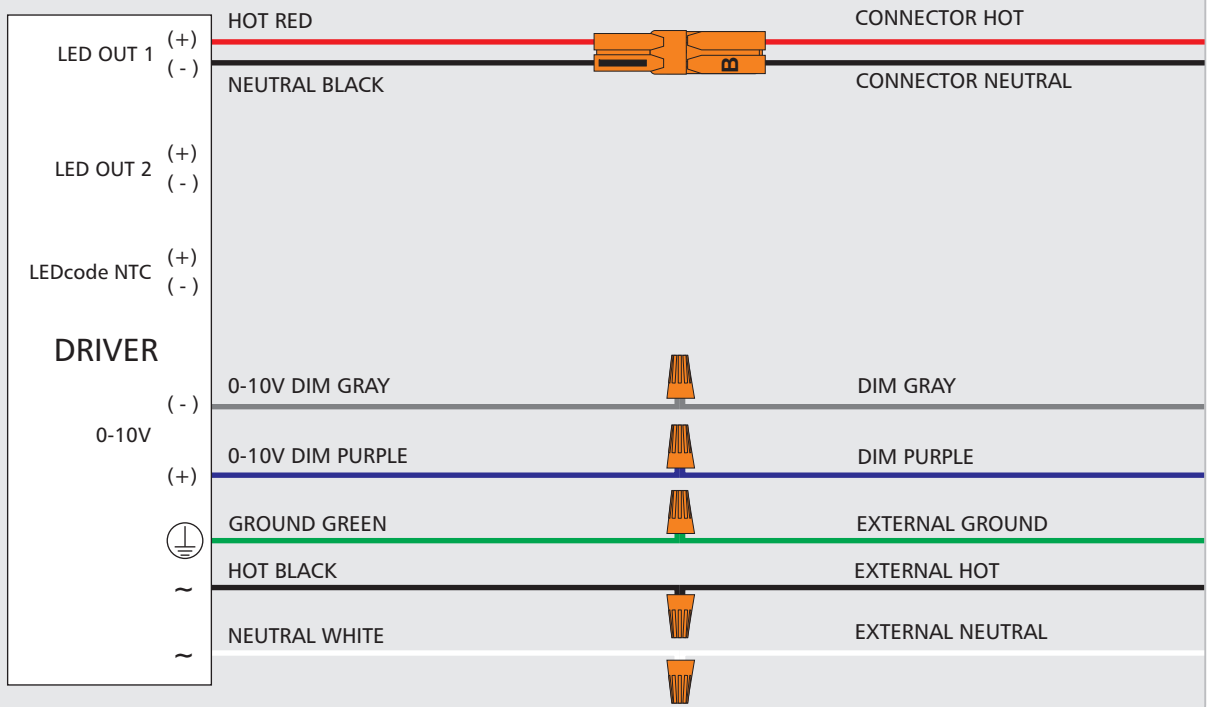
For Lutron Hi Lume ECO System see section 2E

For EldoLED SOLO Drive DALI see section 2D

For Lutron Hi Lume see section 2F

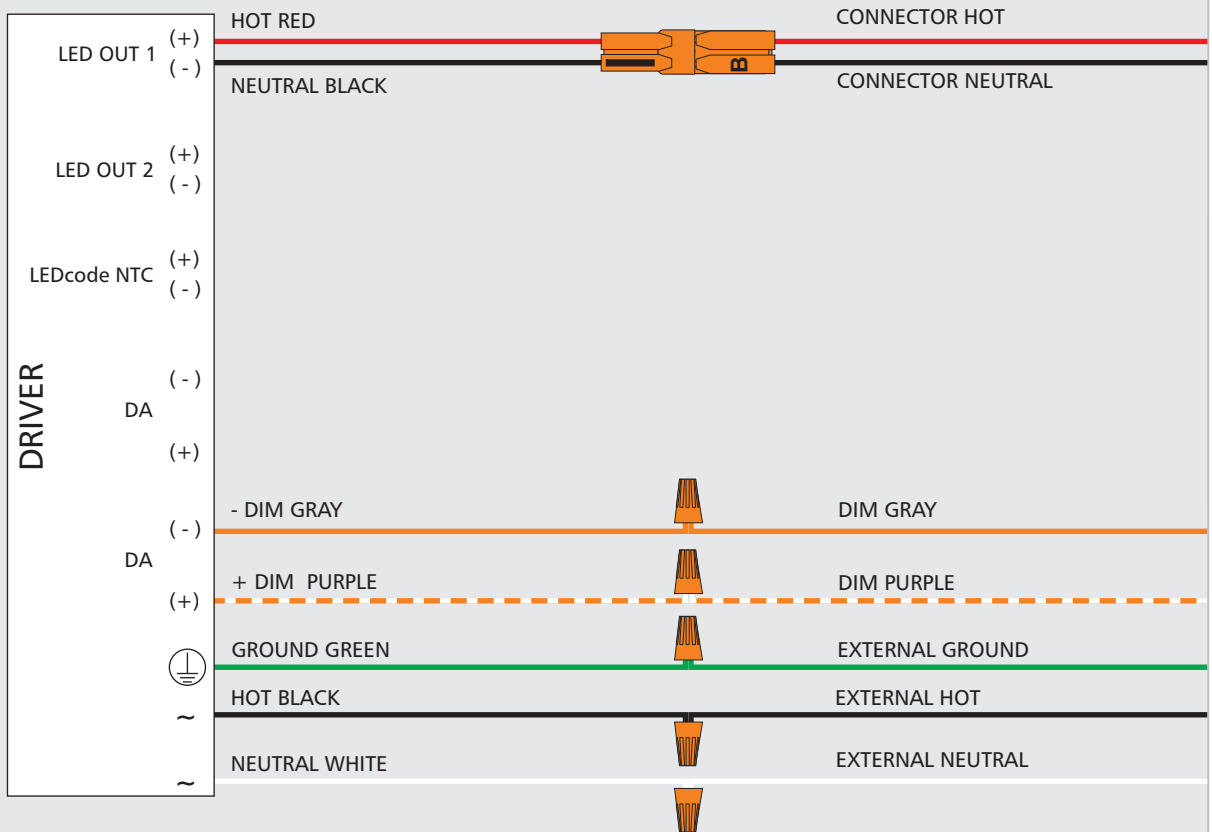
2C

EldoLED SOLO/ECO Drive



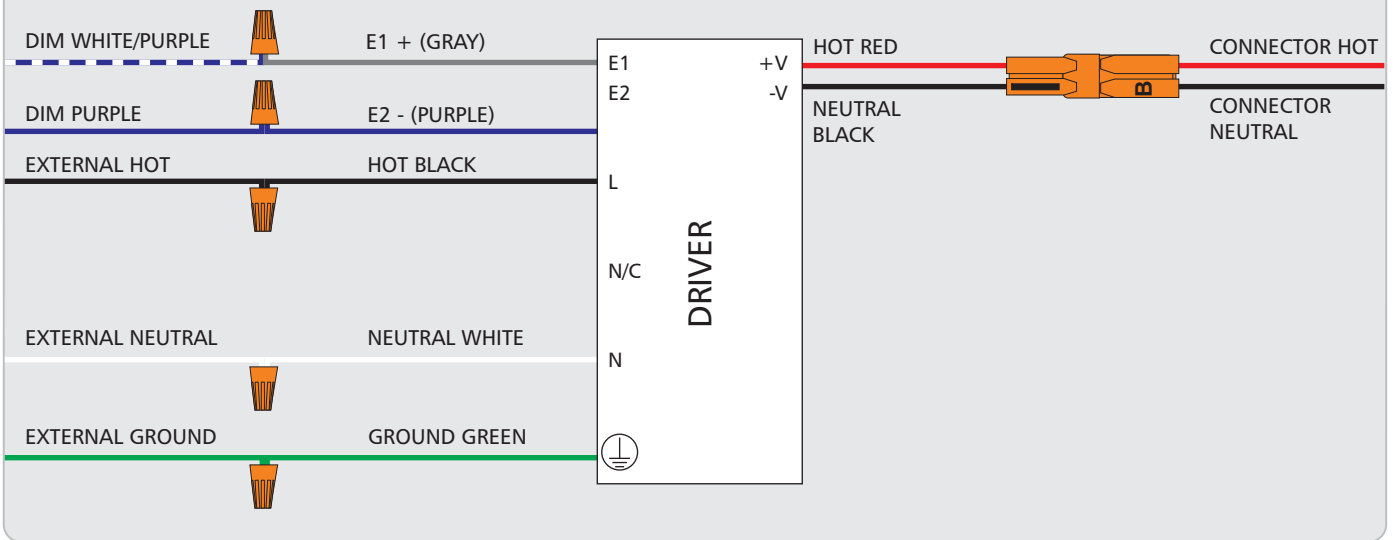
2D

EldoLED SOLO Drive DALI



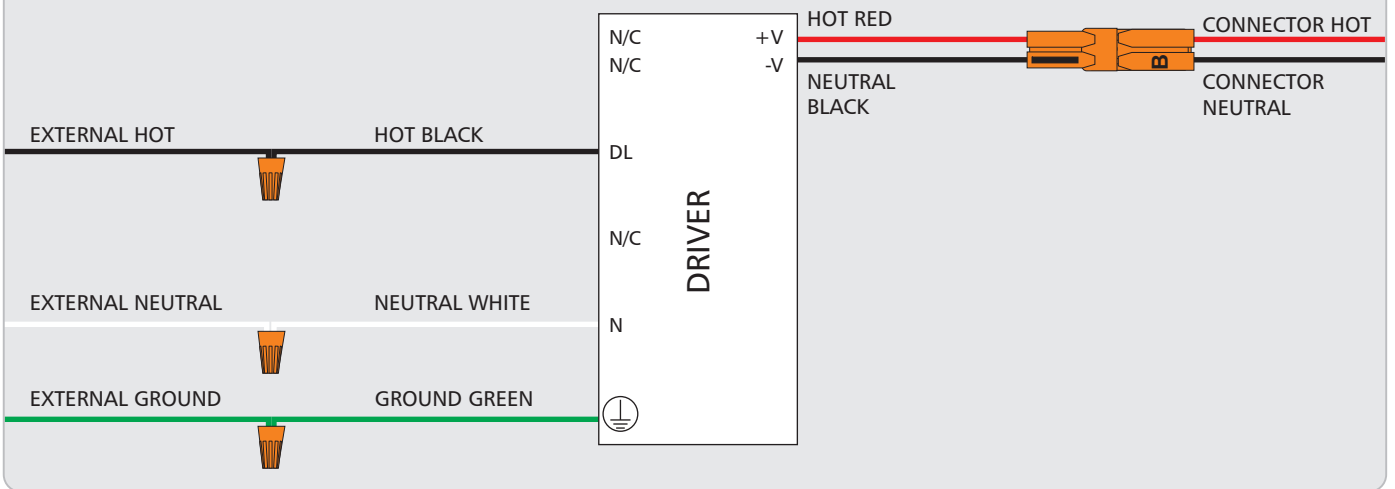
2E

Hi-Lume Eco System



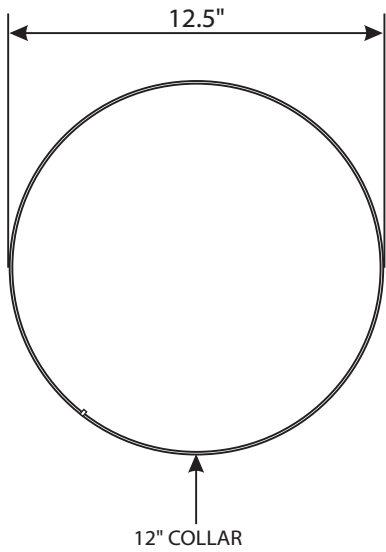
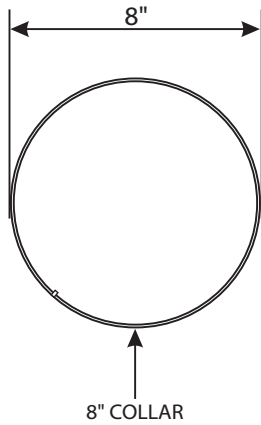
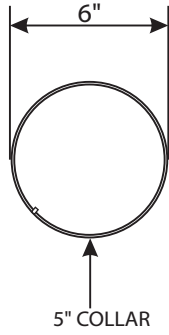
2F

Hi-Lume Wire



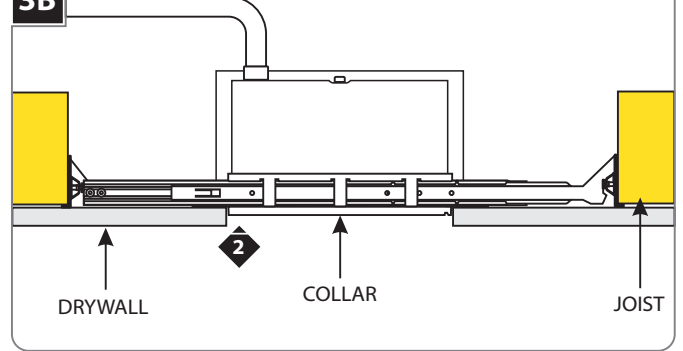
Install Drywall

3A




1 Depending on the fixture's collar size, mark an appropriate sized diameter circle on drywall. Cut out the marked section.

3B



2 Align the cut out section of drywall with the collar and install drywall.

 Continue installation using instructions provided with trim.

Notes

Notes



7400 Linder Ave., Skokie, IL 60077

T 847.410.4400 | F 847.410.4500

www.techlighting.com