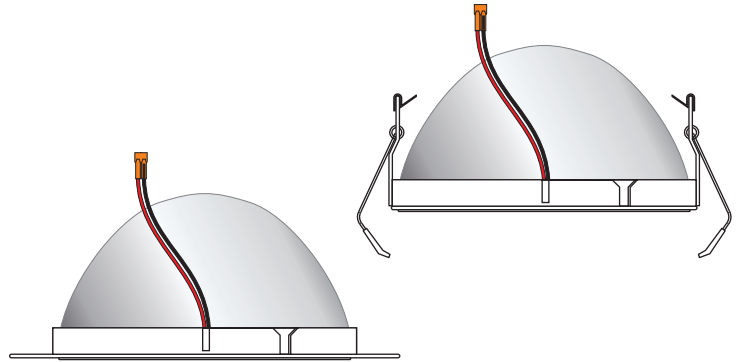


Reflections Trim

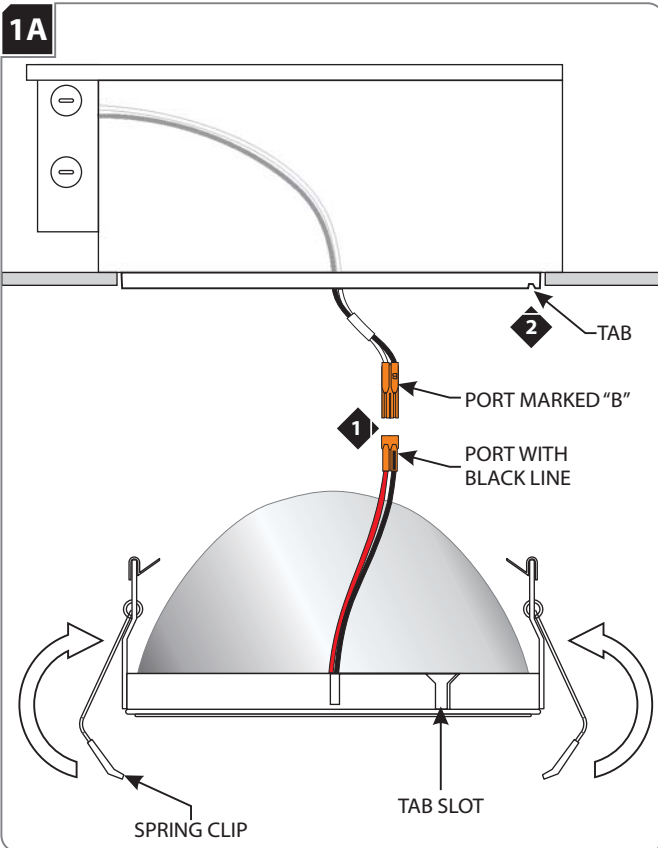
EDIT_ 1.0

ELEMENT
a brand of TECH LIGHTING
TRIMS



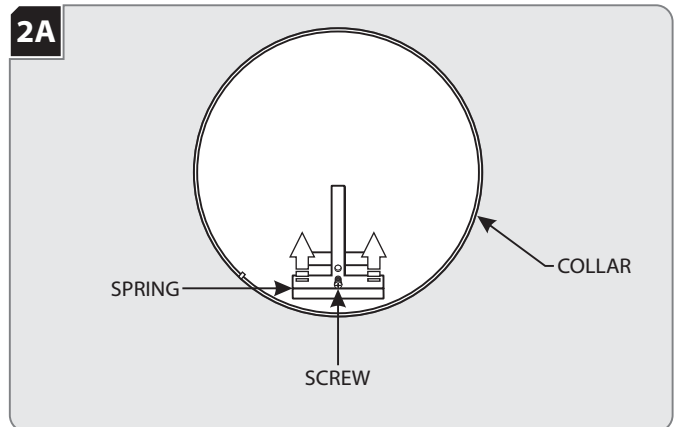
Use the instructions provided with housing to complete the housing installation before beginning trim installation.

Install the Trim (For Flanged Versions)

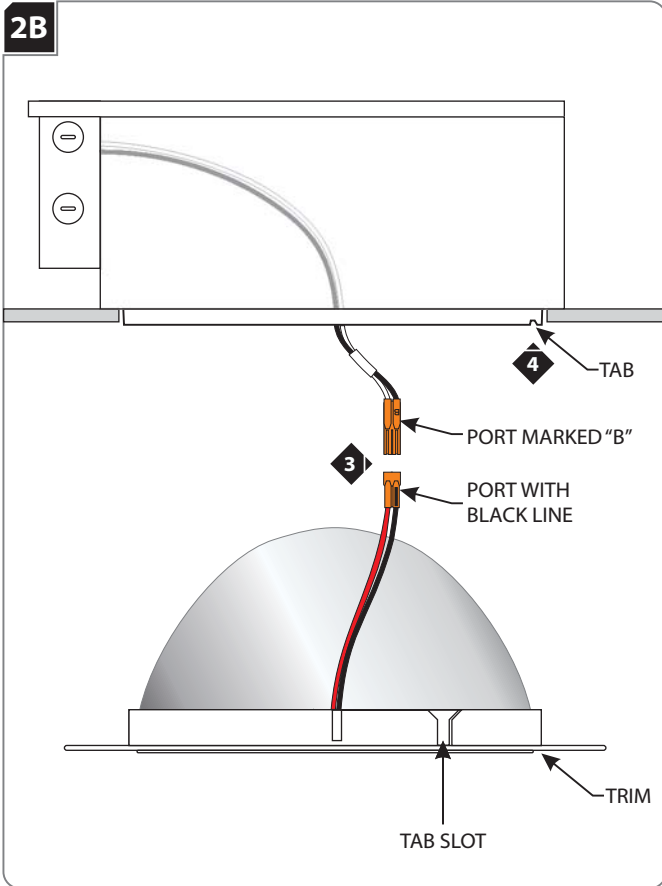


- 1 Connect the jumper cable to the trim making sure the port marked "B" is paired with the port with a black line.
- 2 Line up the tab slot on the trim with the tab on the collar and spread the two spring clips outward, then push the trim into the housing until secure making sure to neatly tuck in any wiring. **NOTE:** It is recommended to install the trim by first inserting the spring clips opposite the side of the wiring to prevent wires from becoming pinched.

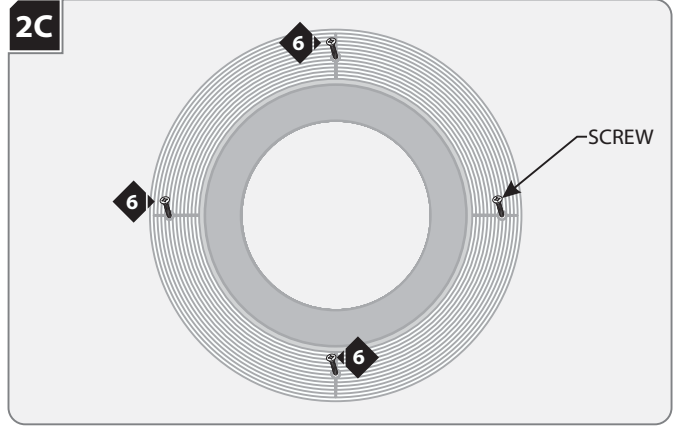
Install the Trim (For Flangeless Versions)



- 1 Release the spring by removing the screw.

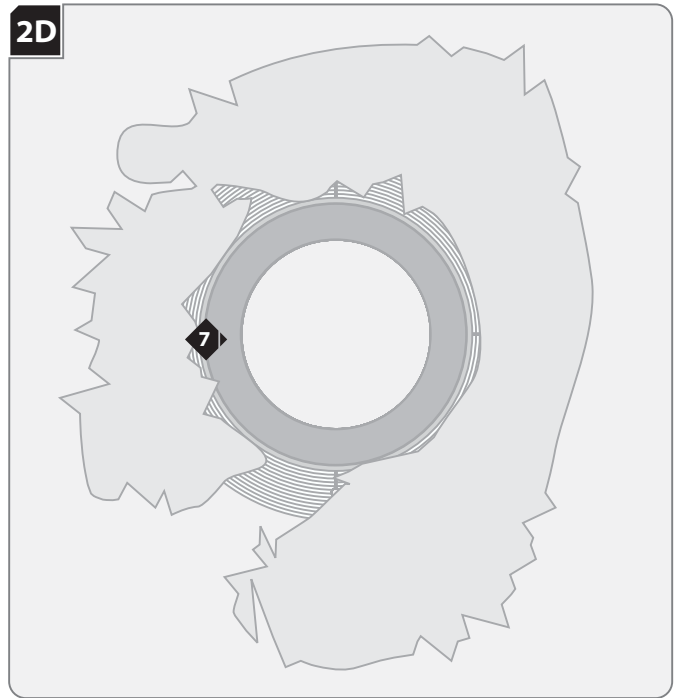


- 2 Connect the jumper cable to the trim making sure the port marked "B" is paired with the port with a black line.
- 3 Line up the tab slot on the trim with the tab on the collar.
- 4 Push the trim into the housing to secure in place making sure to neatly tuck in any wiring.



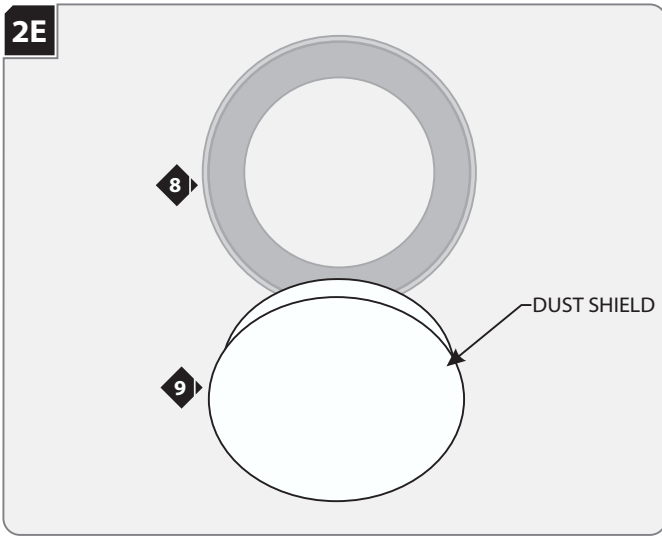
- 6 Secure the trim in place with the four drywall screws appropriate for your drywall thickness. Make sure that the screws penetrate through the drywall. **NOTE:** 12" versions contain six screws.
 - For 1/2 or 5/8 drywall, use 1.25" drywall screws.
 - For 3/4, 7/8, or 1" drywall, use 1.625" drywall screws.

NOTE: Do not overtighten the screws! Overtightening may break the trim, causing the plaster surface to come away from the drywall.



- 7 Properly plaster onto the plaster ring and drywall.

2E



8 The trim may be painted to match the ceiling.

9 Remove the dust shield.

SAVE THESE INSTRUCTIONS!

ELEMENT
a brand of **TECH LIGHTING**

7400 Linder Ave.
Skokie, IL 60077
847.410.4400

www.element-lighting.com

© 2017 Tech Lighting, L.L.C. All rights reserved. The "Element" graphic is a registered trademark of Element. Element reserves the right to change specifications for product improvements without notification.