

Entra Trims

EN3 _ _ 1.0

ELEMENT
a brand of TECH LIGHTING™

TRIMS - ROUND/SQUARE

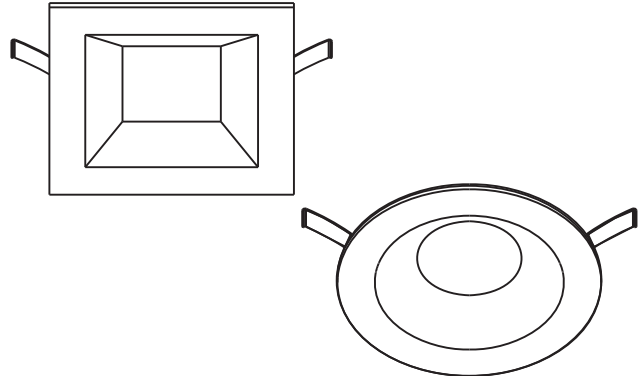
GENERAL PRODUCT INFORMATION:

This product is safety listed for damp locations with all trims, and for wet locations with trims EN3RFB-H__; EN3RLB-H__; EN3SFB-H__; and EN3SLB-H__.

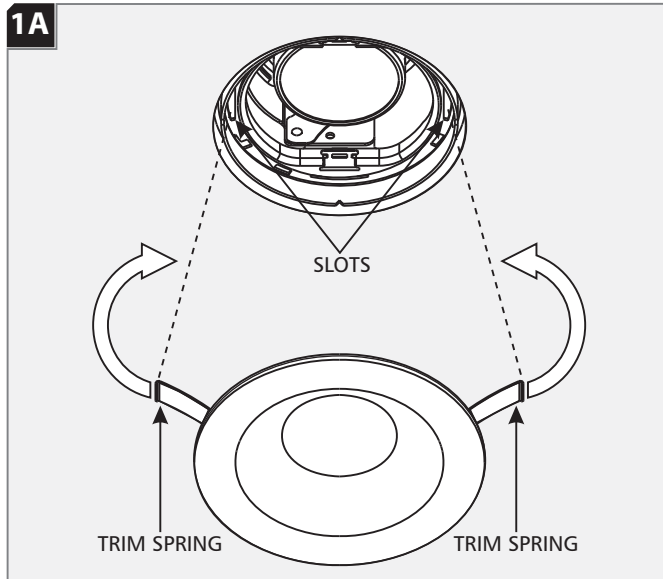
This instruction shows a typical installation.



Use the instructions provided with fixture before beginning trim installation.

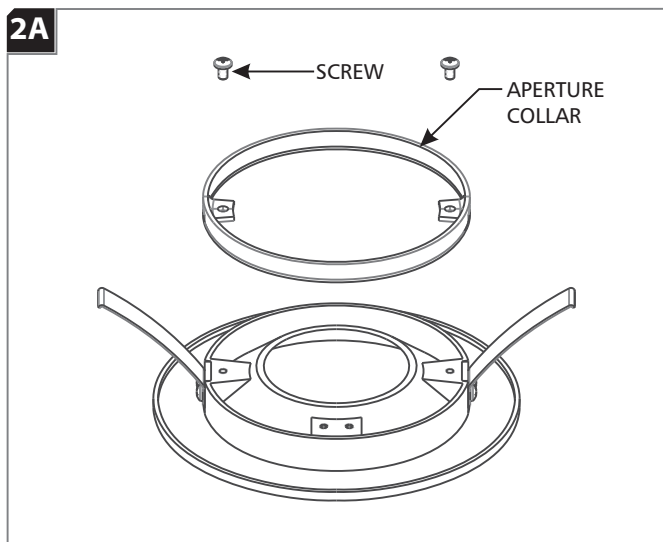


Install or Remove the Trim



- 1 Push the trim springs inward and push them through the slots on the housing (**round trim shown**).
- 2 Push the trim upward until it seats securely against the ceiling (**flanged trims**) or the inner lip of the plaster ring (**flangeless trims**).
- 3 **To Remove the Trim:** Carefully pull the trim away from the ceiling just enough to allow room to push the trim springs inward, then pull the springs out of the slots on the housing (**round trim shown**). Lensed trims can be pulled down by pushing the lens upward on the spring clip.

For 3/4"-1" Ceiling Only



- 1 To install aperture collar (EN3RACB / EN3SACB, available separately) on flanged trims:
- 2 Secure aperture collar to trim using the included screws and the threaded holes on the trim. Ensure that the gasket on the collar forms a tight fit to the trim. Install the trim as shown in Step 1A.

Note: Aperture collar is not to be used on ceiling thickness less than 3/4". Aperture collar is not required for flangeless installations.

SAVE THESE INSTRUCTIONS!

ELEMENT
a brand of **TECH LIGHTING**

7400 Linder Ave.
Skokie, IL 60077
847.410.4400

www.element-lighting.com

© 2018 Tech Lighting, L.L.C. All rights reserved. The "Element" graphic is a registered trademark of Element. Element reserves the right to change specifications for product improvements without notification.