

Merge 1.5 - Capsule Head

1.0



MERGE

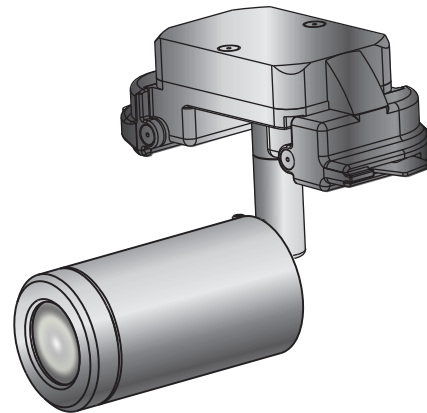
GENERAL PRODUCT INFORMATION:



This product is suitable for dry locations.

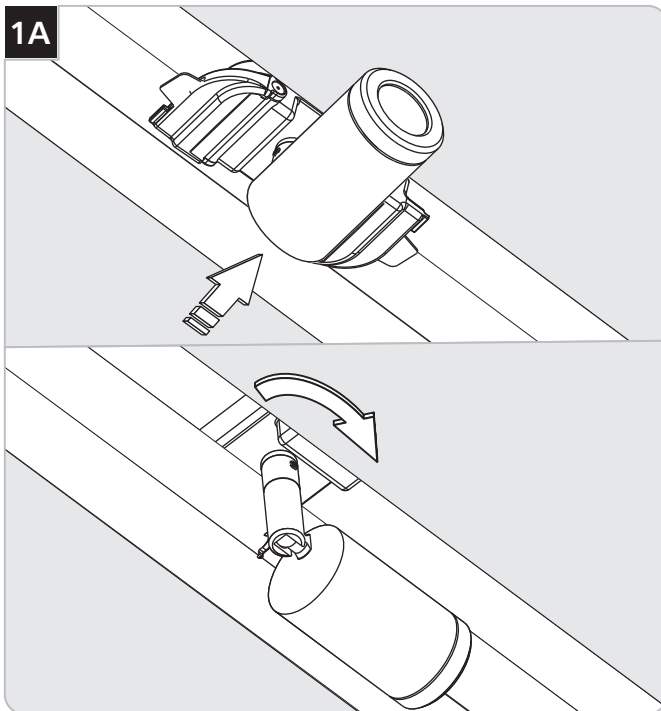
Maximum loading of the low-voltage busbar is 240W (20 AMPS).

Maximum one spot per foot of linear panel.



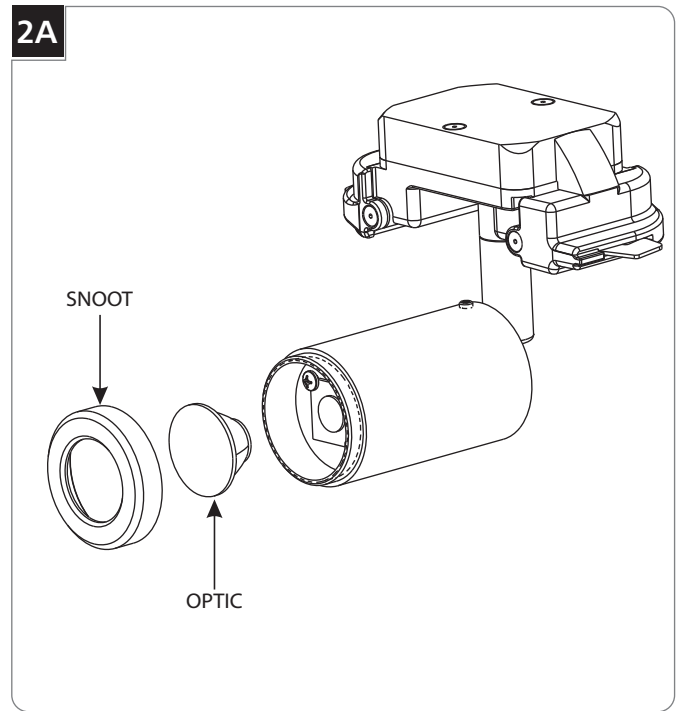
SAVE THESE INSTRUCTIONS!

Install Modules



- 1 Install the capsule into the fixture channel at the desired location and rotate it 90° into place.

Replace/Install Optics



- 1 Unscrew and remove the snoot.
- 2 Remove the optic.
- 3 Install the optic inside the snoot.
- 4 Screw the snoot back on.



7400 Linder Ave., Skokie, IL 60077
T 847.410.4400 | F 847.410.4500
www.techlighting.com