

Merge 1.5 - Flush Mount Linear

1.2



GENERAL PRODUCT INFORMATION:

This product is suitable for dry locations.

Maximum run length per branch circuit power feed is 80ft.

Maximum run length for low-voltage busbar is 40ft; Multiple 40ft runs may be combined using multiple transformers.

Maximum loading of the low-voltage busbar is 240W (20 AMPS).

This instruction shows a typical installation.



CAUTION - RISK OF FIRE

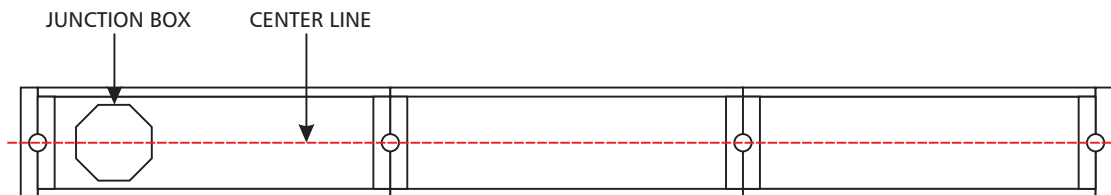
This product must be installed in accordance with the applicable installation code by a person familiar with the construction and operation of the product and the hazards involved.

Use minimum 90°C supply conductors.

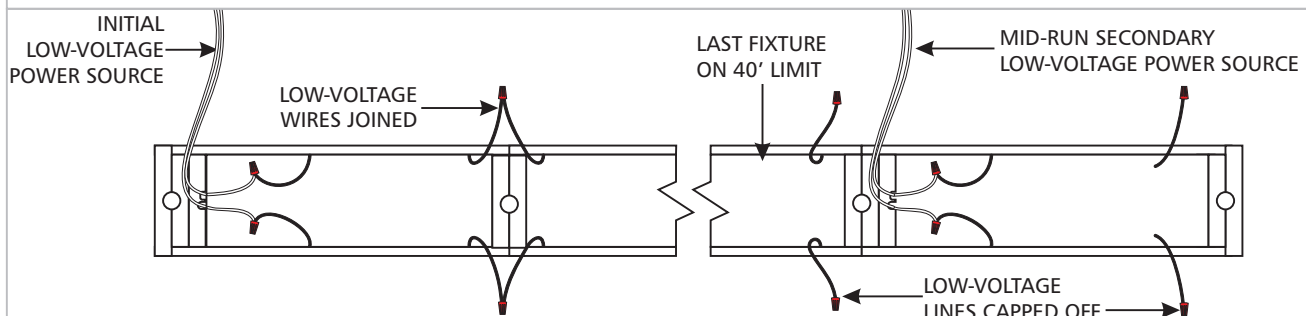
NOTE: Due to the complexity of this fixture, assistance is recommended for installation.

Identify the Fixtures and Configuration

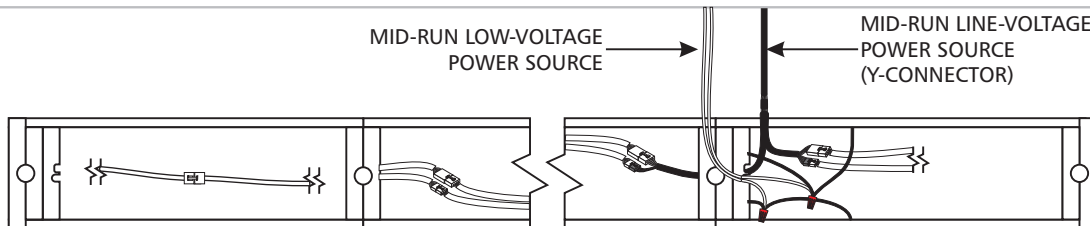
1A



Locate the junction box or power feed exit point on the center line of the run as close to one end as possible.



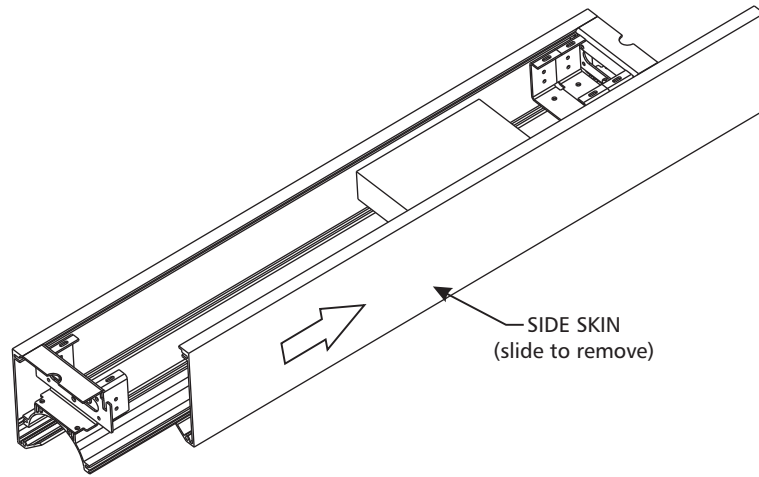
The low-voltage section of the fixture run will also likely be powered at the start of the run, then interconnected to a maximum of 40'. Sections of the run may be isolated by simply not connecting the low-voltage lines and the run may be powered by multiple transformers at different units to power longer runs.



The line-voltage power can be delivered mid-run by using the Y-connector to connect the line-voltage and dimming controls. The low-voltage power can be delivered mid-run by connecting the low-voltage wires from the 2 adjacent units to the wire from the drop.

Prepare the Fixtures

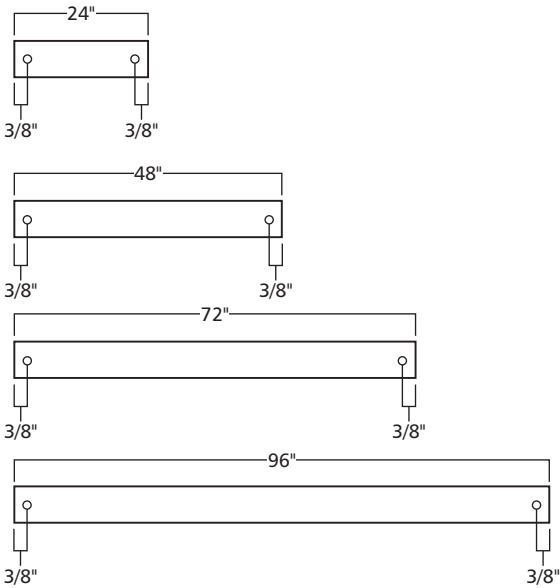
2A



- 1 Remove the side skins from all the fixtures and set them aside in a safe place.
- 2 Designate which fixture will be the last in the run. This fixture will likely be the farthest from the power supply.

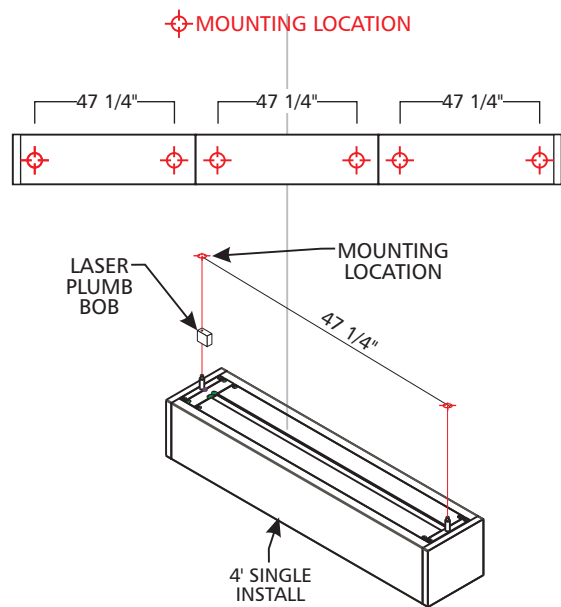
Prepare for Installation

3A



For corners, see instructions included with corner fixture

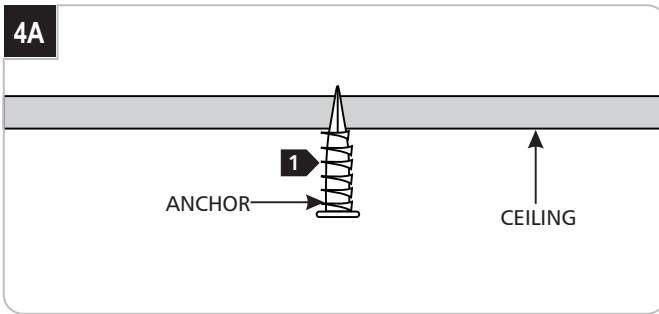
4' Example Configuration



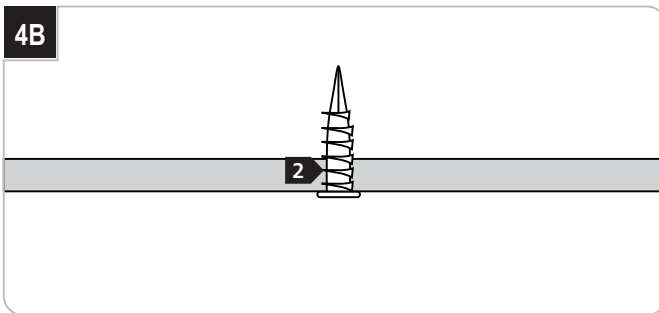
- 1 The mounting locations on the fixture are $\frac{3}{8}$ " from the seam between adjoining fixtures or $\frac{3}{8}$ " from the end of the main fixture body, not including the endcap. Using the provided diagram, mark the anchor location on the ceiling/grids for each model in the configuration. See example configuration. Mark a line representing the entire length of the centerline of the run of fixtures.

Alternate Marking: Lay the fixture configuration on the floor underneath the installation location, and use a laser plumb bob to project the mounting location onto the ceiling/grid. Mark the locations.

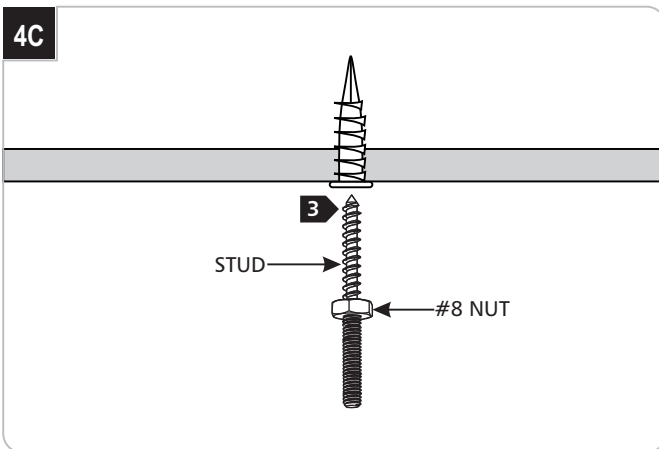
Install the Cable/Stem Posts



- 1 At the mark point, tap the anchor into the ceiling up to the threaded portion with a hammer.

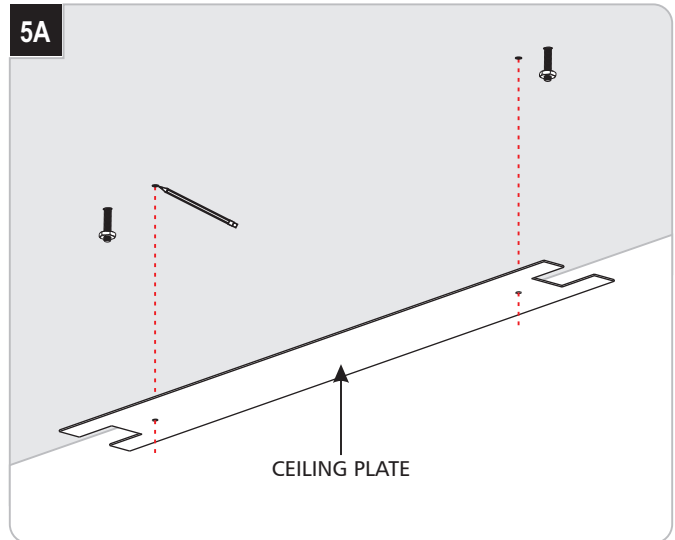


- 2 Screw the anchor in the rest of the way with a Phillips screwdriver.

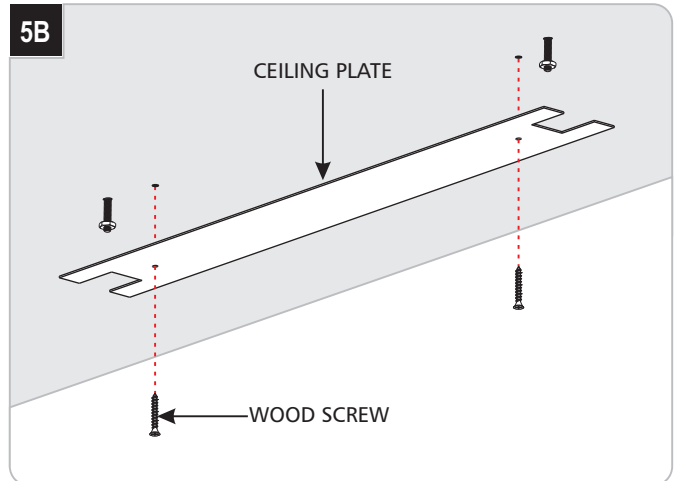


- 3 Mount the double-sided stud into the anchor. Use 1 or 2 #8 nuts to make it easier to turn the stud.
- 4 Repeat the steps 1 through 3 for the remaining marked points.

Install the Ceiling Plates

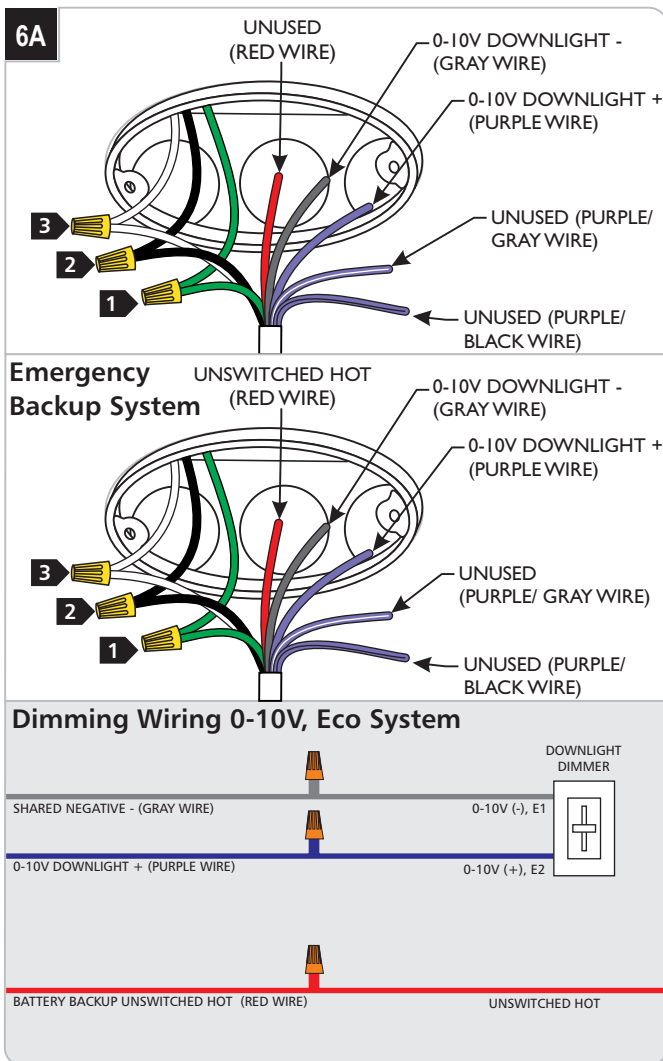


- 1 Use the ceiling panels provided to mark the locations for more anchors or T-bar connectors.



- 2 Install the anchors or T-bar connectors as described earlier.
- 3 Mount the ceiling plates with the appropriate screw or nuts.
- 4 Modify the ceiling plate which would cover the junction box or exit point of the power wires as necessary.

Install the Power Feed Wires

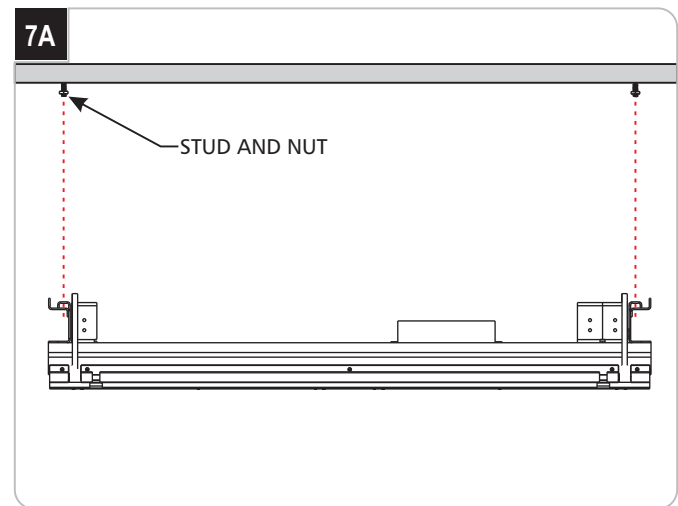


- 1 Connect the fixture to a suitable ground in accordance with local electrical codes.
- 2 Connect the black fixture wire to the hot power line wire with a wire nut.
- 3 Connect the white fixture wire to the neutral power line wire with a wire nut.
- 4 Connect dimming wires as shown.
- 5 Connect the fixture's low-voltage wires to the remote transformer's low-voltage power lines.

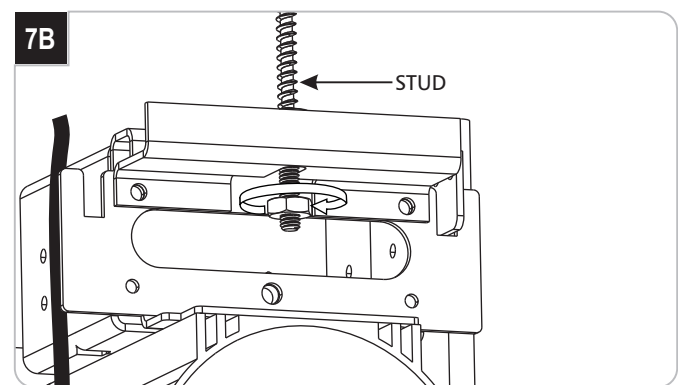
For Emergency Battery Backup Option:

- 6 Use the red wire as an unswitched hot line to charge the battery.

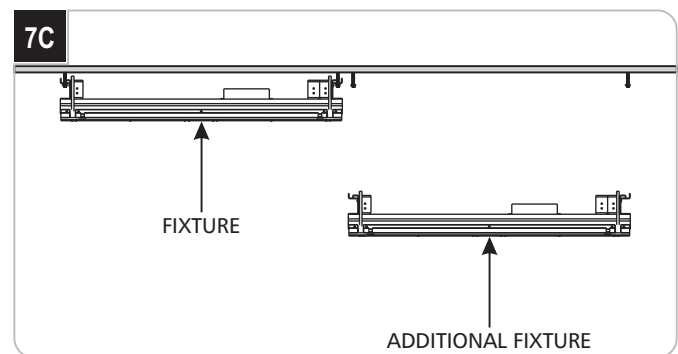
Install the Fixture



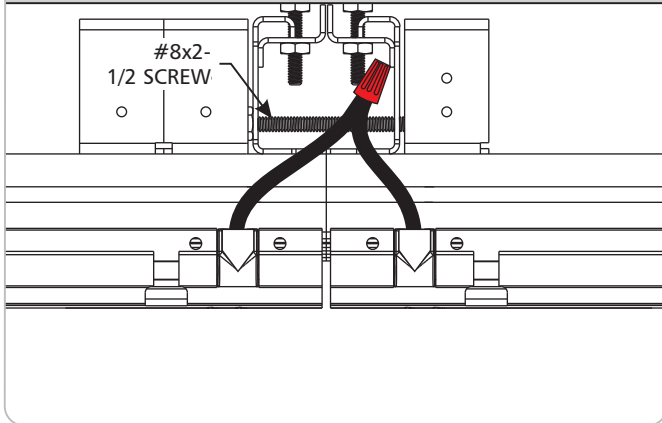
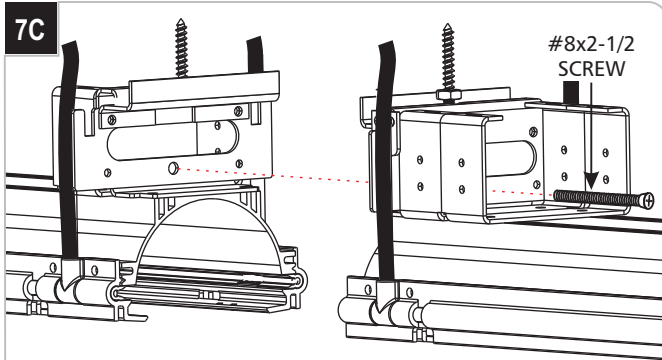
- 1 Raise the first fixture up to the ceiling brackets so that the studs pass through the brackets at either end.
- 2 Try to locate the end of the fixture with LED drivers close to the power feed.



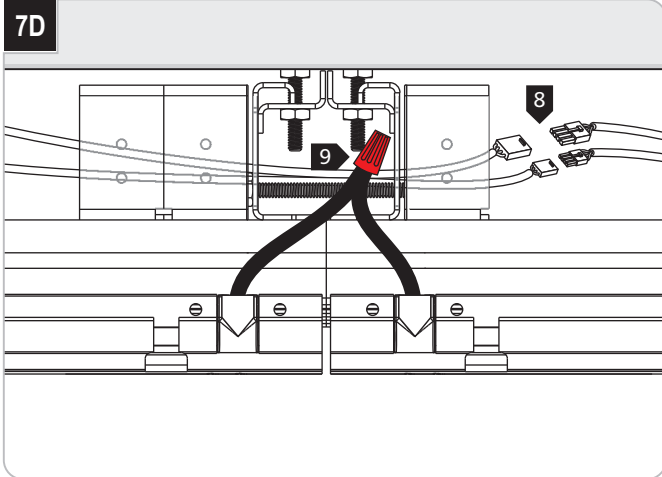
- 3 Thread nuts onto the studs.
- 4 Tighten the nuts to bring the unit snug almost to the ceiling.
- 5 If installing a single fixture, skip to section 9.



- 6 Repeat steps 1-4 for the next fixture(s).



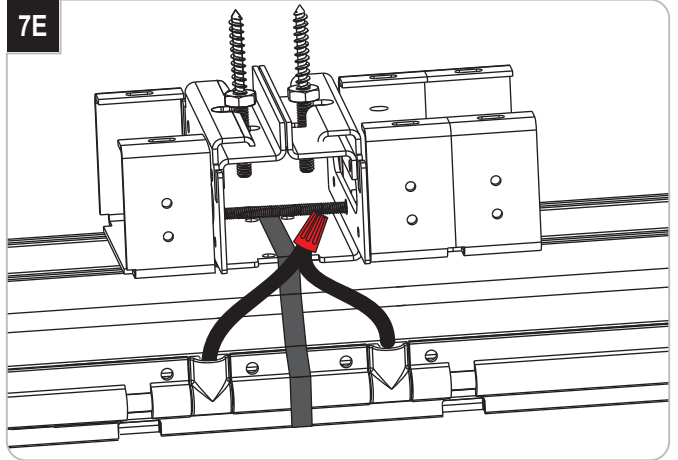
7 Install a 2-1/2" screw at each fixture joint. Use the hex wrench provided to tighten the screw and pull the fixtures together and minimize the seam between the reflectors when seen from below.



8 Feed the female power and control connectors into the adjacent fixture and connect them to the male connectors.

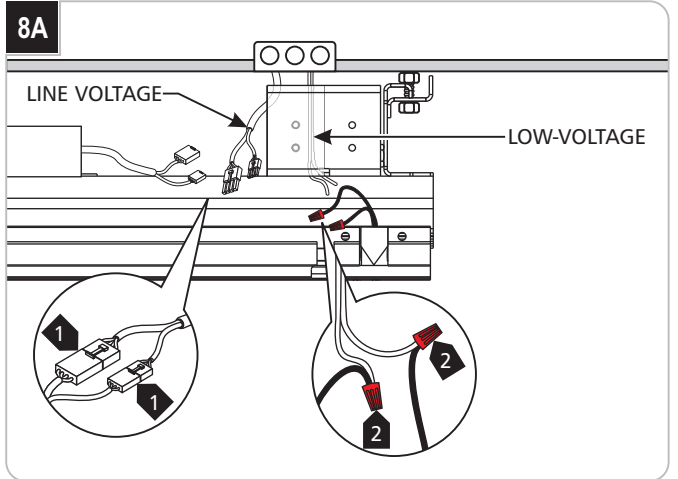
9 Feed the low-voltage wires also into the adjacent fixture and connect them using the provided wire nuts.

10 Repeat steps 8-9 for the rest of the connecting fixtures.



11 Use the black electrical tape across the seam between the fixtures to block any light leak.

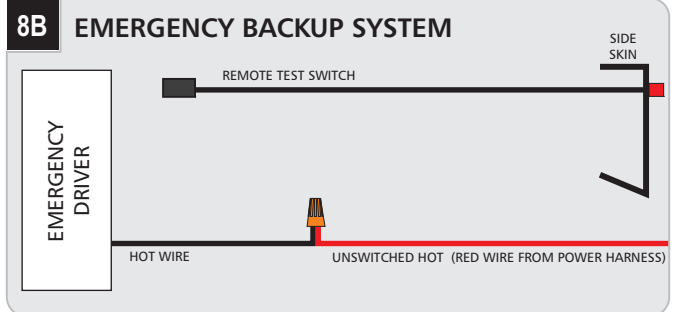
Connect the Power Feed



1 Connect the power and control wire connectors from the power feed to the connectors on the fixture.

2 If utilizing the low-voltage bus bar, connect the low-voltage remote transformer wires to the low-voltage wires in the fixture with the provided wire nuts.

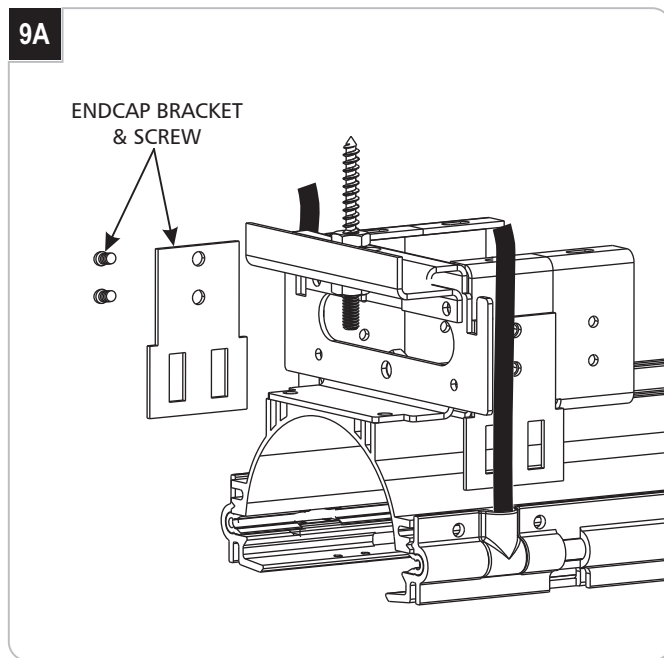
Emergency Backup System Driver (Optional)



1 Connect the unswitched hot red wire from the power harness to the emergency driver.

2 Connect the test switch mounted to one of the side skins to the emergency driver.

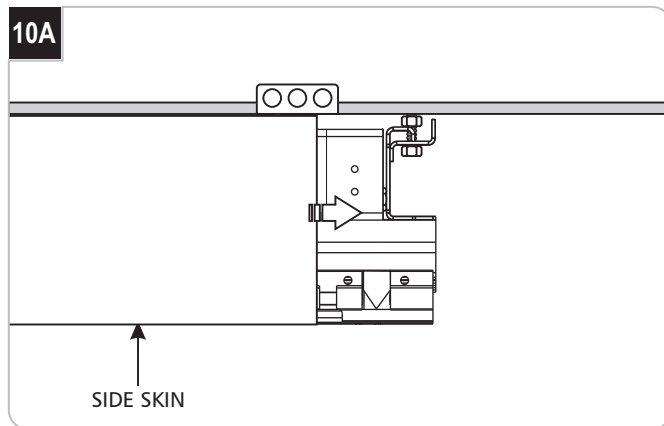
Install the End Cap Brackets



- 1 Mount 2 endcap brackets at each end of the run with the screws provided.

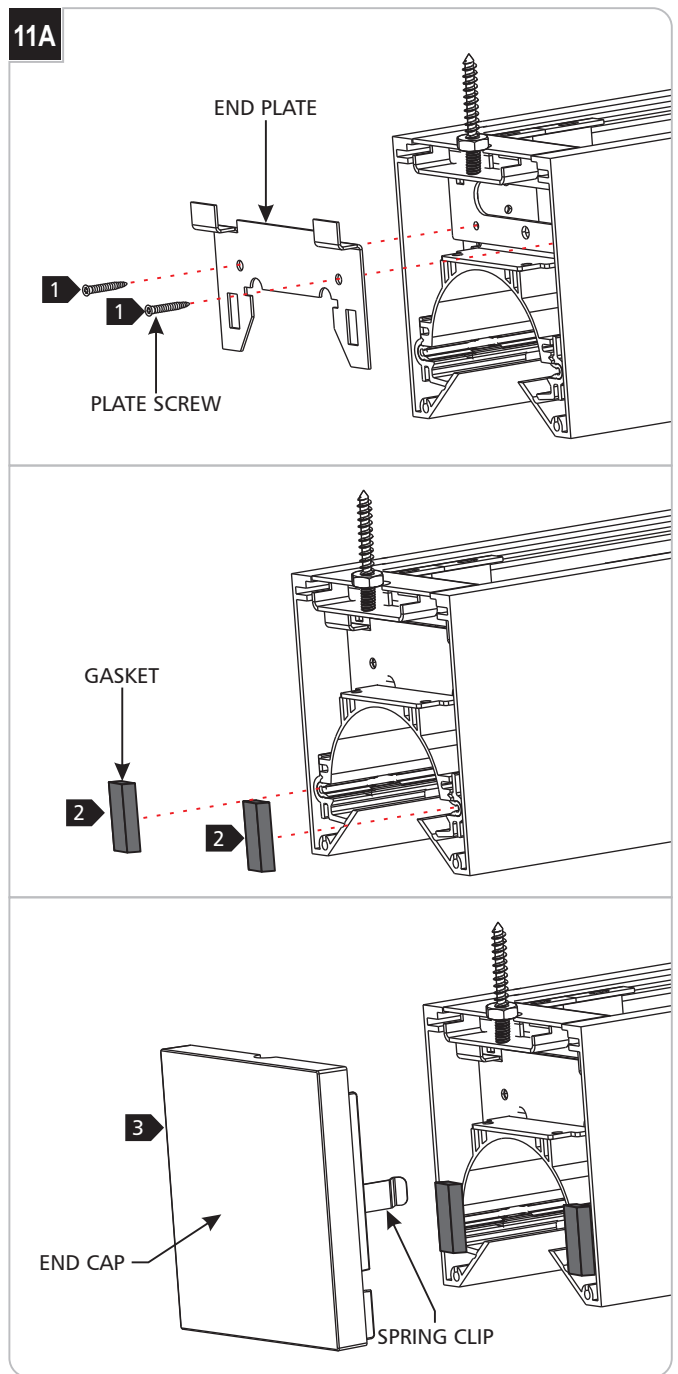
SIDE SKIN NOTE: Install the side skins by pivoting them into place an inch or two away from their final location and sliding into place.

Install the Side Skins



- 1 Install the side skins by pivoting them into place an inch or two away from their final location and sliding them into place.

Install the End Caps



- 1 Install the end plates to both ends of the run with the screws provided. These plates keep the side skins safely in place and should not be ignored.
- 2 Install the light gaskets at the ends of the busbars.
- 3 Install the end caps by pushing them onto the ends of the run until they snap into place.

Notes

SAVE THESE INSTRUCTIONS!



TECH LIGHTING®

7400 Linder Ave, Skokie, IL 60077

847.410.4400

www.techlighting.com

© 2018 Tech Lighting, L.L.C. All rights reserved. The "Tech Lighting" graphic is a registered trademark of Tech Lighting, L.L.C. Tech Lighting reserves the right to change specifications for product improvements without notification.

A Generation Brands Company