

Merge Drop Down Spot Head and FreeJack Adaptor

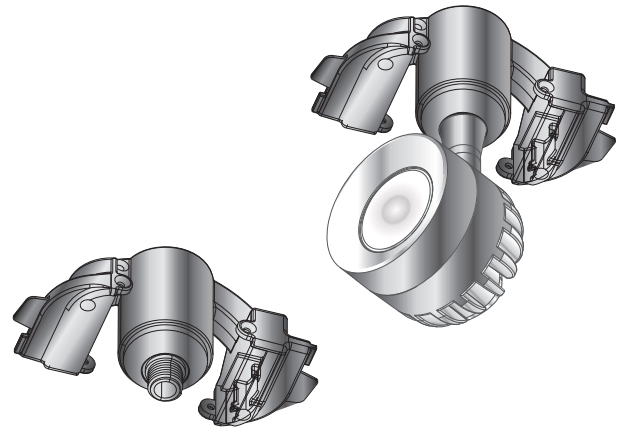
ELEMENT
a brand of TECH LIGHTING™

GENERAL PRODUCT INFORMATION:

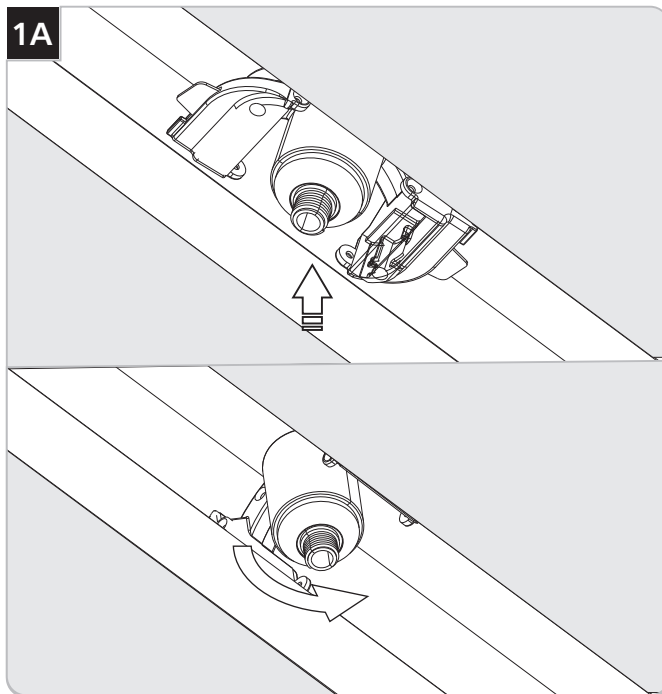
This product is suitable for dry locations.

Maximum loading of the low-voltage busbar is 240W (20 AMPS).

Maximum one spot per foot of linear panel.

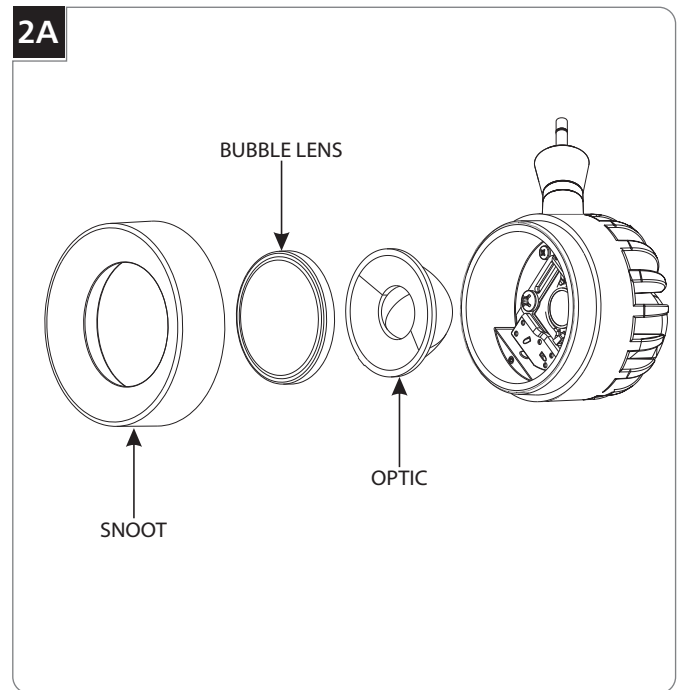


Install Modules



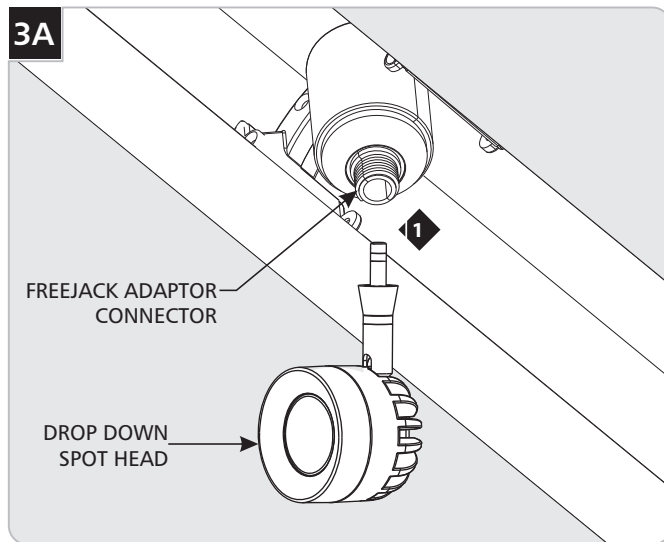
- 1 Install the modules into the fixture channel at the desired location and rotate them 90° into place.

Replace/Install Optics and Lenses

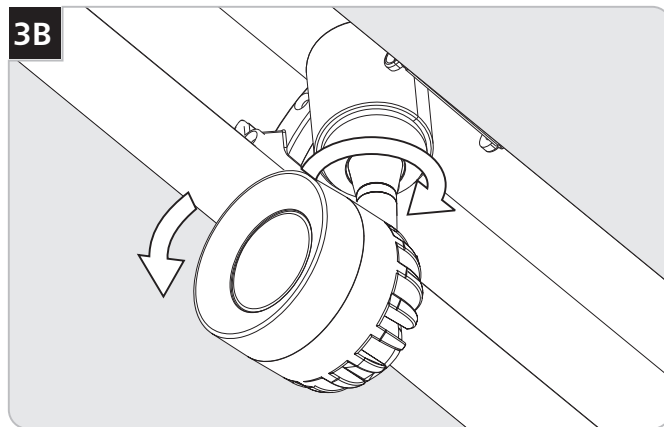


- 1 Unscrew and remove the snoot.
- 2 Remove the optic.
- 3 If installing an optional lens, discard the bubble lens and rest the optional lens (maximum two) inside the snoot.
- 4 Install the optic (replacement or existing) inside the snoot.
- 5 Screw the snoot back on.

Install the Drop Down Spot Head

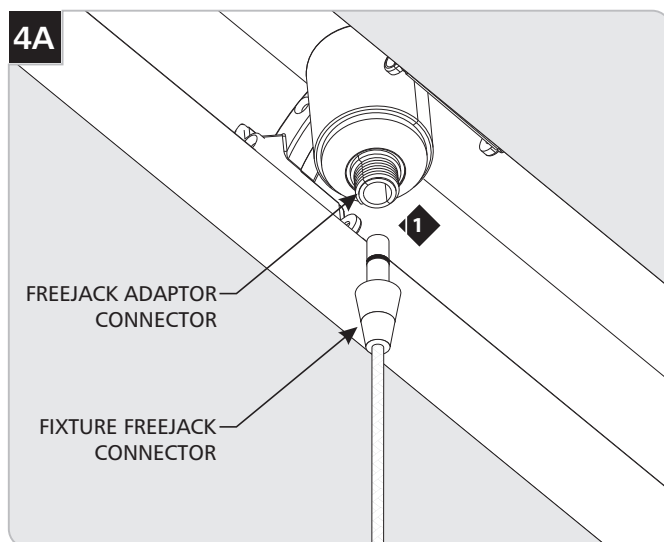


- 1 Screw the drop down spot head into the FreeJack female connector.



- 2 Tilt and/or rotate the spot head to the desired location.

Install FreeJack Fixture



- 1 Screw the Fixture FreeJack male connector into the FreeJack female connector.

SAVE THESE INSTRUCTIONS!

ELEMENT
a brand of TECH LIGHTING

7400 Linder Ave.
Skokie, IL 60077
847.410.4400

www.element-lighting.com

© 2019 Tech Lighting, L.L.C. All rights reserved. The "Element" graphic is a registered trademark of Element. Element reserves the right to change specifications for product improvements without notification.