



GENERAL PRODUCT INFORMATION:



This product is suitable for dry locations.

Maximum run length per branch circuit power feed is 80ft.

Maximum run length for low-voltage busbar is 40ft; Multiple 40ft runs may be combined using multiple transformers.

Maximum loading of the low-voltage busbar is 240W (20 AMPS).

This instruction shows a typical installation.

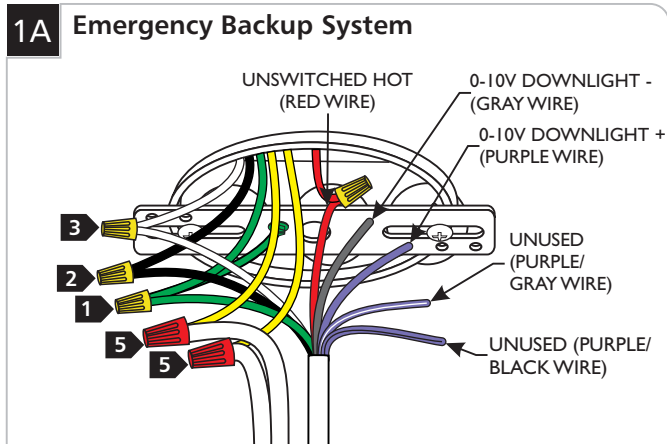
CAUTION - RISK OF FIRE

This product must be installed in accordance with the applicable installation code by a person familiar with the construction and operation of the product and the hazards involved.

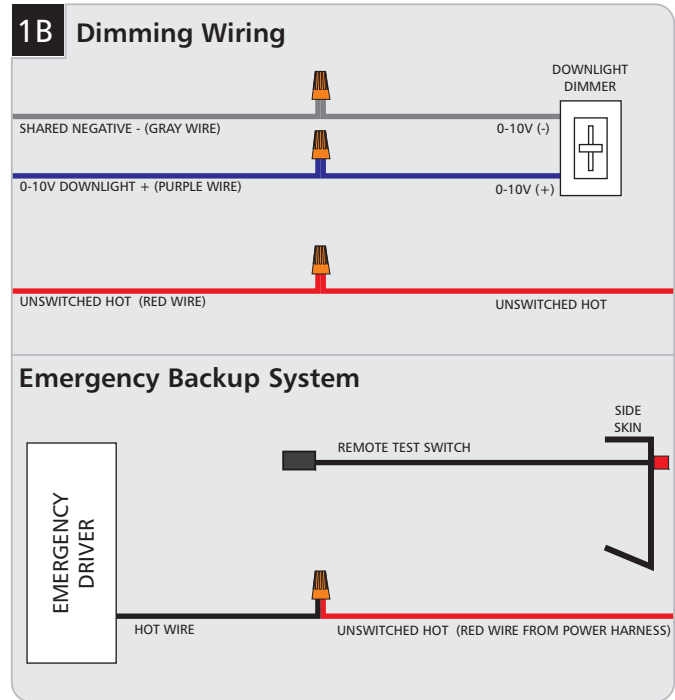
Use minimum 90°C supply conductors.

NOTE: Follow these instructions instead of those provided with the power canopy to wire the main dimmable power drop as well as the constant emergency backup line.

Install the Emergency Battery Backup (Units without Uplights Only)



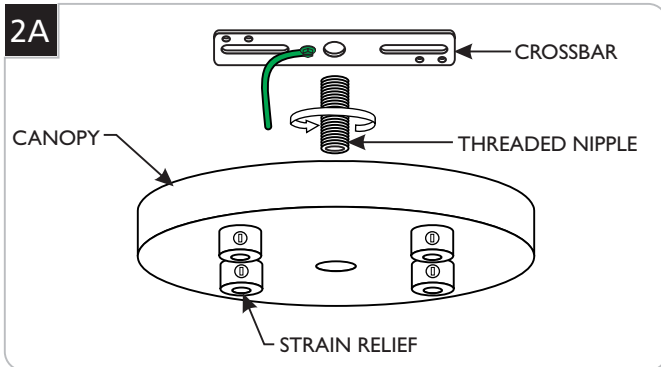
- 1 Connect the crossbar and the fixture ground wire to a suitable ground in accordance with local electrical codes.
- 2 Connect the black fixture wire to the hot power line wire with a wire nut.
- 3 Connect the white fixture wire to the neutral power line wire with a wire nut.
- 4 Connect 0-10V dimming wires as shown.
- 5 Connect the fixture's low-voltage wires to the remote transformer's low-voltage power lines.
- 6 Connect the red wire to a constant (unswitched) hot power line with a wire nut.



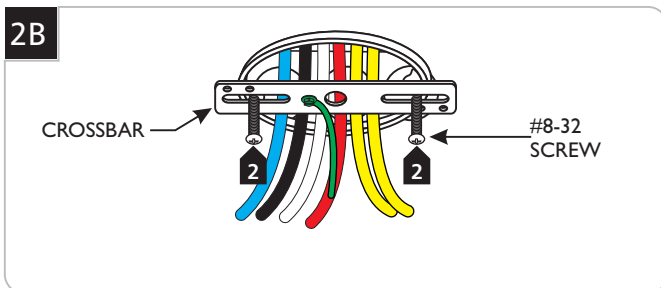
- 7 Connect the unswitched hot red wire from the power harness to the emergency driver.
- 8 Connect the test switch mounted to one of the side skins to the emergency driver. **SKIP TO STEP 3A**

Install the Emergency Battery Backup (Units with Uplights Only)

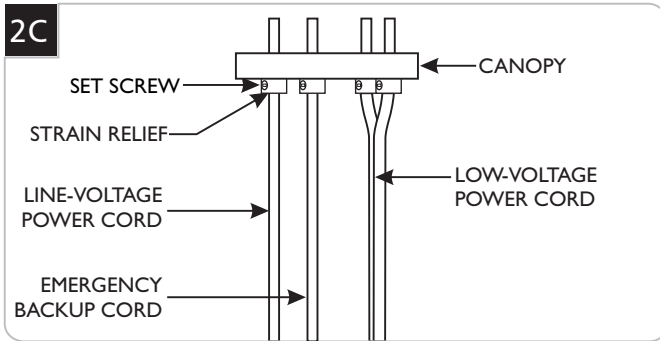
NOTE: Use the special emergency backup canopy provided with the fixture. A constant (unswitched) hot power supply must be provided along with the switched uplight, downlight and low-voltage power supplies. The unswitched hot will be used to charge the emergency backup battery.



1 Remove the crossbar from the canopy and separate it from the threaded nipple by completely unscrewing it out.



2 Mount the crossbar assembly to the electrical box with the two provided #8-32 screws.

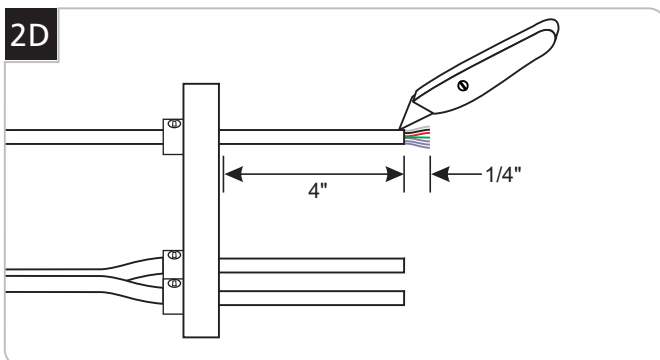


NOTE: The power cord does not support the fixture. For a casual "lazy cord" look, cut the power cord several inches longer than the drop height of the fixture.

3 Loosen (**Do Not Remove**) the set screws on the strain reliefs.

4 With the planned height of the fixture in mind, feed the line-voltage and low-voltage (cord must be split) power cord through the strain reliefs until the desired look is achieved.

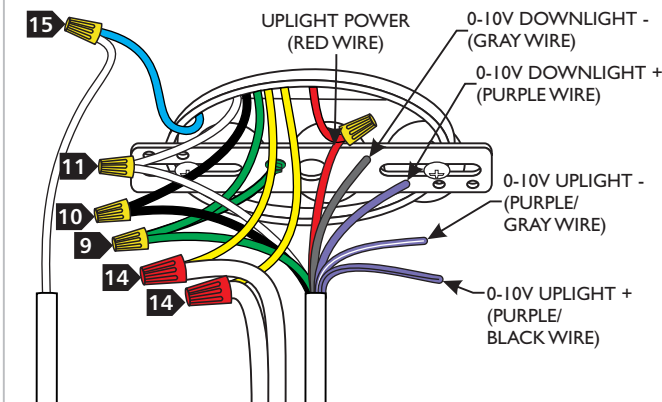
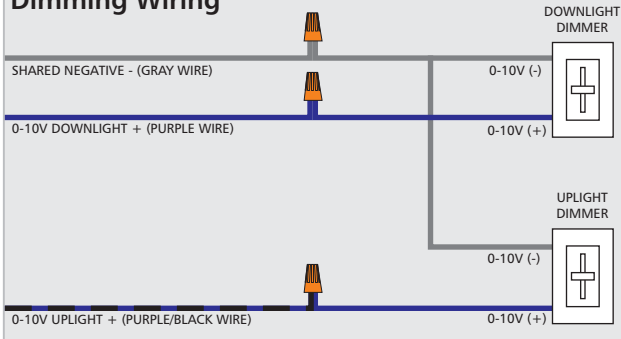
5 Tighten the set screws on the strain reliefs.



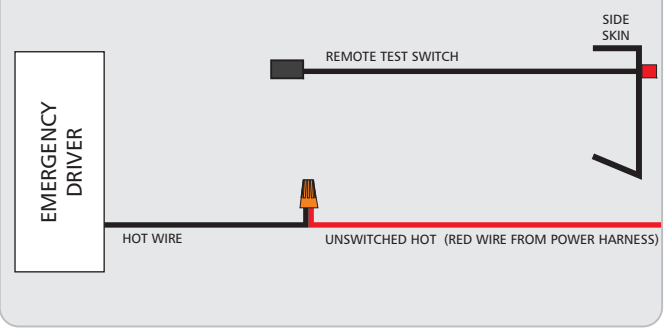
6 Leave 6" of the cord behind the canopy for power connections. Cut the excess cord.

7 From the end of the cord, strip the insulation 4" using a sharp knife. **Make sure not to nick the inner wires.**

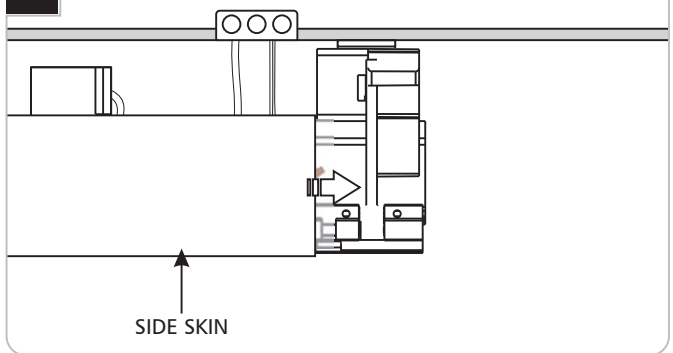
8 Strip 1/4" of insulation from the end of the inner insulated wires.

2E**Dimming Wiring**

- 9 Connect the crossbar and the fixture ground wire to a suitable ground in accordance with local electrical codes.
- 10 Connect the black fixture wire to the hot downlight power line wire with a wire nut.
- 11 Connect the white fixture wire to the neutral power line wire with a wire nut.
- 12 Connect the red wire to the uplight power wire.
- 13 Connect 0-10V dimming wires as shown.
- 14 Connect the fixture's low-voltage wires to the remote transformers low-voltage power lines.
- 15 Connect one of the emergency backup cord wires to the constant (unswitched) hot power line wire with a wire nut.
- 16 Mount the canopy to the electrical box as shown in the standard canopy instructions.

2F**EMERGENCY BACKUP SYSTEM**

- 1 Connect the unswitched hot red wire from the power harness to the emergency driver.
- 2 Connect the test switch mounted to one of the side skins to the emergency driver.

Install the Side Skins**3A**

- 1 Install the side skins by pivoting them into place an inch or two away from their final location and sliding them into place.

SAVE THESE INSTRUCTIONS!



TECH LIGHTING®

7400 Linder Ave, Skokie, IL 60077

847.410.4400

www.techlighting.com

© 2017 Tech Lighting, L.L.C. All rights reserved. The "Tech Lighting" graphic is a registered trademark of Tech Lighting, L.L.C. Tech Lighting reserves the right to change specifications for product improvements without notification.

A Generation Brands Company